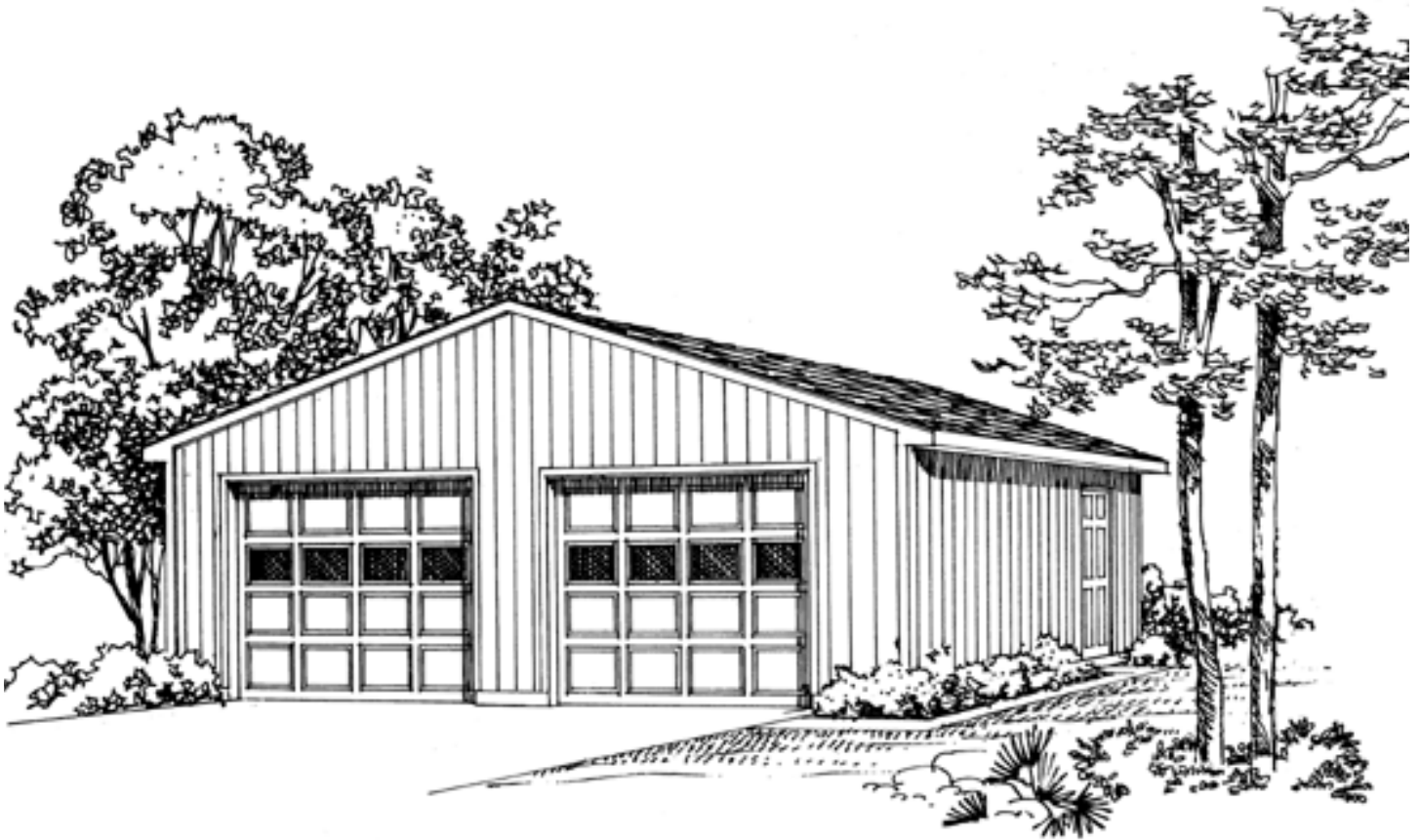




# RESIDENTIAL GARAGE / WORKSHOP APPLICATION DRAWINGS

Suite D, 180 North Third Avenue, Williams Lake, BC V2G 2A4  
Unit 3 - 170 Cedar Avenue, Box 2260, 100 Mile House, BC V0K 2E0  
102 - 410 Kinchant Street, Quesnel, BC V2J 7J5

Ph: 250-392-3351 Fax: 250-392-2812  
Ph: 250-395-3838 Fax: 250-395-4898  
Ph: 250-992-7400 Fax: 250-992-7414



## **Central Cariboo – Williams Lake**

Suite D, 180 North Third Avenue Williams Lake, BC V2G 2A4  
Phone: 250-392-3351 or 1-800-665-1636 | Fax: 250-392-2812  
General Building Inspection e-mail: [building@cariboord.ca](mailto:building@cariboord.ca)

## **North Cariboo – Quesnel**

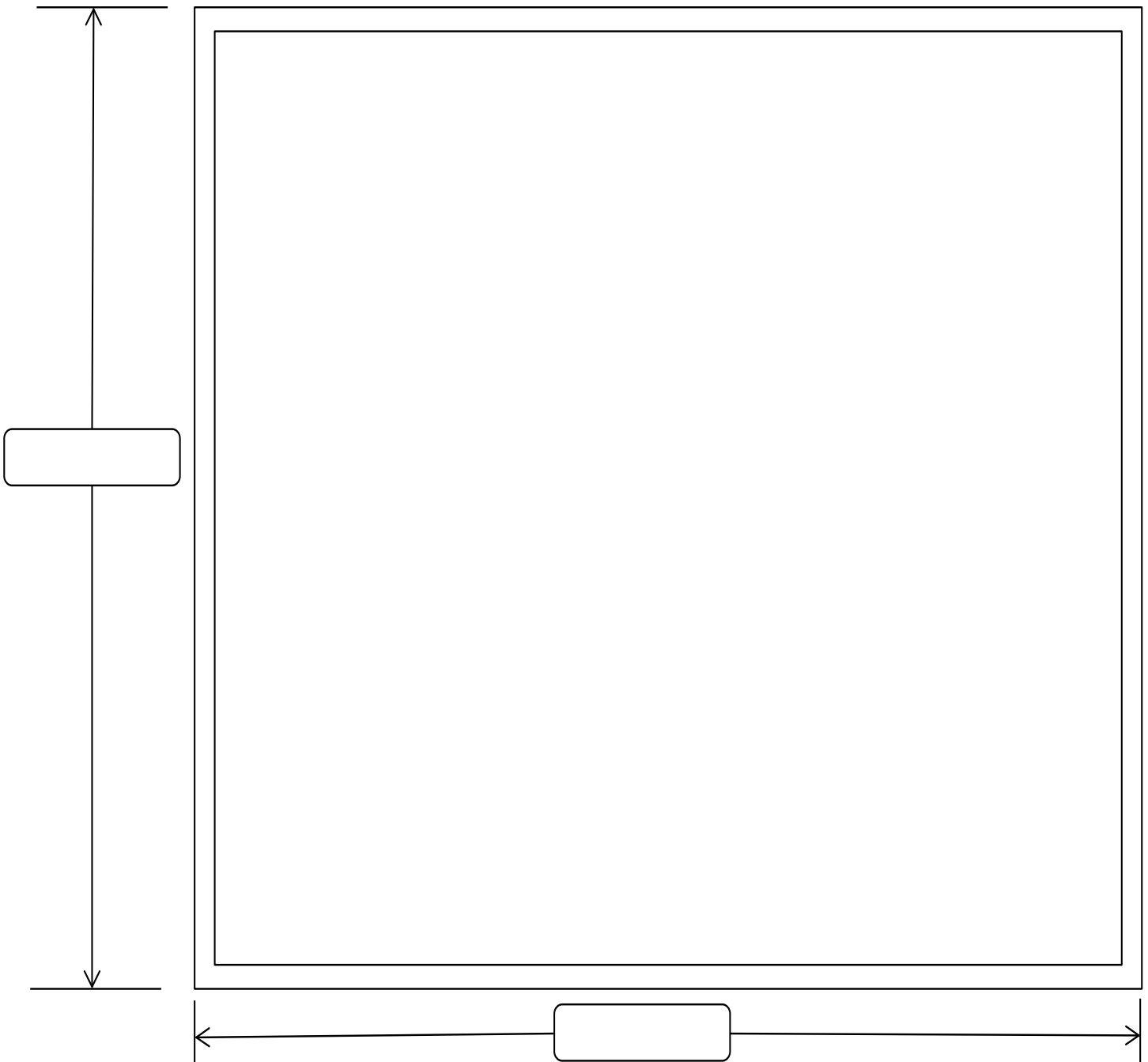
#102 – 410 Kinchant Street, Quesnel, BC V2J 7J5  
Phone: 250-992-7400 | Fax: 250-992-7414

## **South Cariboo – 100 Mile House**

Unit 3 – 170 Cedar Avenue, P.O. Box 2260, 100 Mile House, BC V0K 2E0  
Phone: 250-395-3838 | Fax: 250-395-4898

## FLOOR PLAN

Show the length and width of the building. Sketch in the location and size of all doors and windows as well as the size of the proposed lintels (headers).



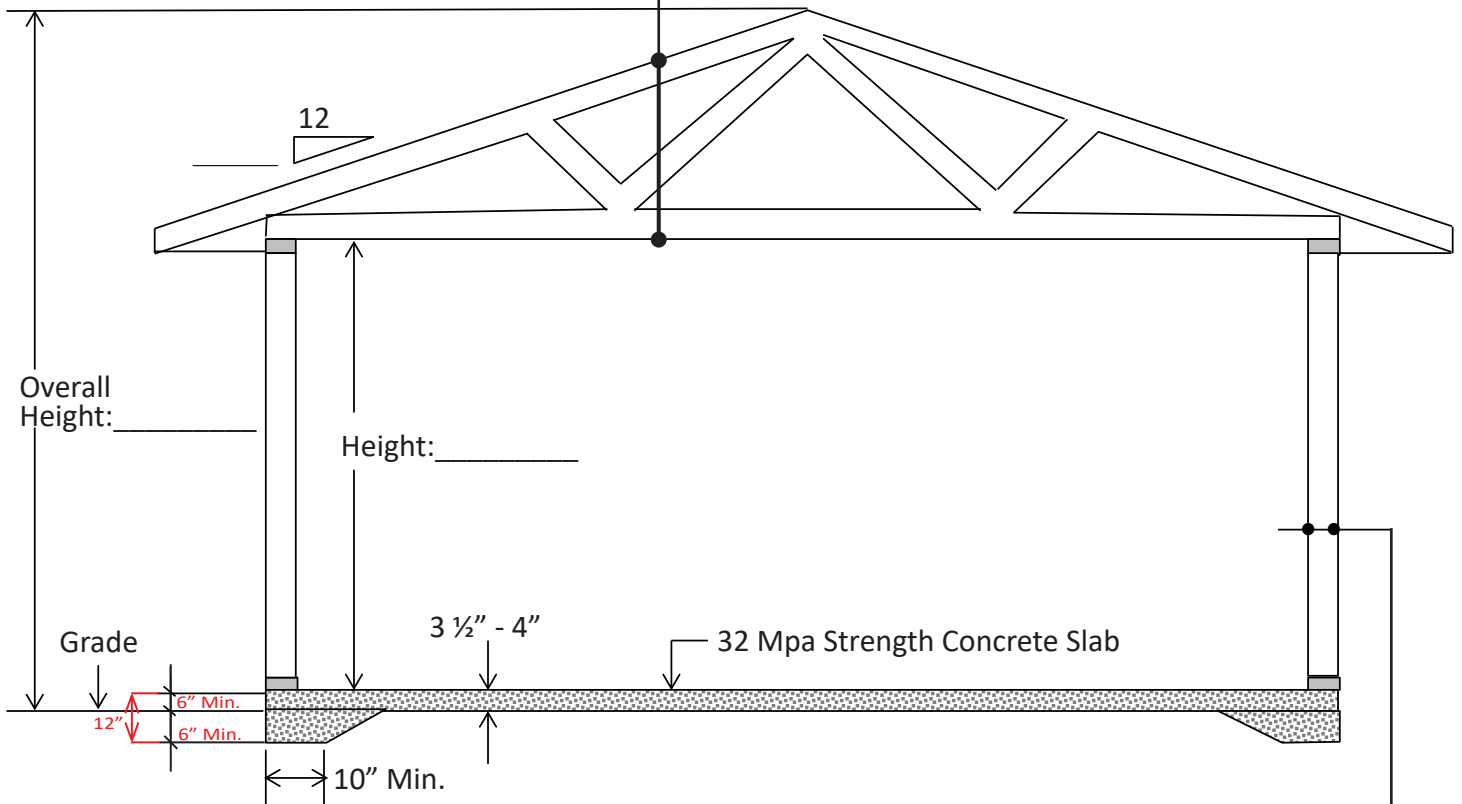
### **Notes:**

1. A "man" door is reequired for all garage /workshop buildings;
2. If a wood burnign stove and chimney are to be installed, show the locatons on the plan;
3. Double cripple studs are required for all openings 10' wide or greater;
4. A minimum 20' x 26' attic access opening is required;
5. Sketch in the location of any partition walls;
6. Show the location of any additional story or mexxanine and the location of the stairs; and
7. If a washroom is to be installed, note the location on the plan.

## CROSS SECTION

This foundation is suitable for garages up to 55 sq. m. (592 sq. ft.). If larger, ***see page 5.***

Roofing: \_\_\_\_\_  
 Sheathing (type and thickness): \_\_\_\_\_  
 Engineered roof trusses at 24" o/c  
 Insulation: \_\_\_\_\_  
 6 mil poly vapour barrier  
 Interior finish: \_\_\_\_\_



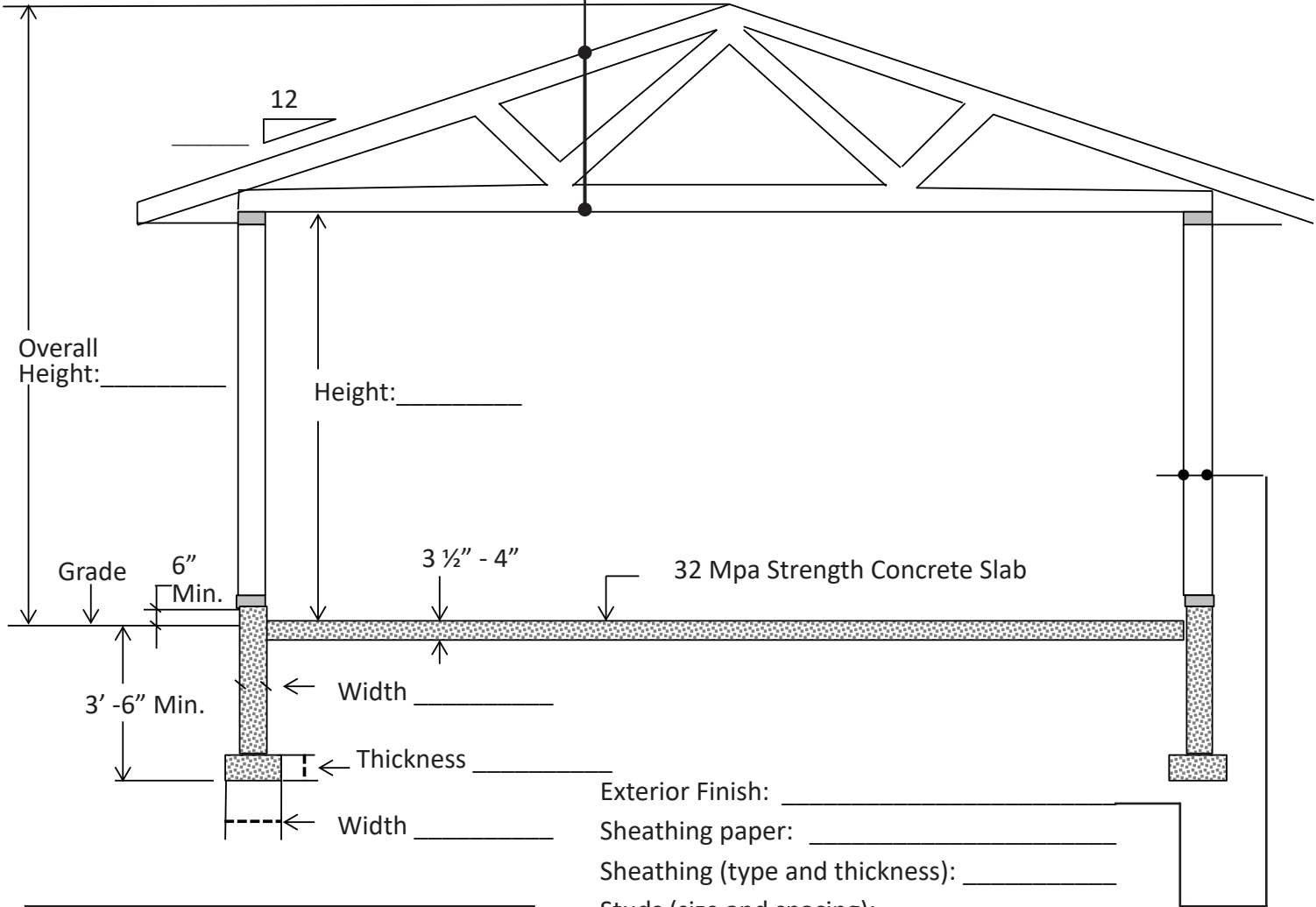
Exterior Finish: \_\_\_\_\_  
 Sheathing paper: \_\_\_\_\_  
 Sheathing (type and thickness): \_\_\_\_\_  
 Framing: \_\_\_\_\_  
 Insulation: \_\_\_\_\_  
 6 mil poly vapour barrier  
 Interior finish: \_\_\_\_\_

**Notes:**

1. All footings to be resting on undisturbed soil (not topsoil) or well compacted granular material;
2. Ø 1/2" anchor bolts to be installed at maximum 7'-10" O/C; and
3. Exterior grade to slope away from foundation.

**CROSS SECTION - FROST PROTECTED FOUNDATION**

Roofing: \_\_\_\_\_  
 Sheathing (type and thickness): \_\_\_\_\_  
 Engineered roof trusses at 24" o/c  
 Insulation: \_\_\_\_\_  
 6 mil poly vapour barrier  
 Interior finish: \_\_\_\_\_



Exterior Finish: \_\_\_\_\_  
 Sheathing paper: \_\_\_\_\_  
 Sheathing (type and thickness): \_\_\_\_\_  
 Studs (size and spacing): \_\_\_\_\_  
 Insulation: \_\_\_\_\_  
 6 mil poly vapour barrier  
 Interior finish: \_\_\_\_\_

- Notes:**
1. All footings to be resting on undisturbed soil (not topsoil) or well compacted granular material;
  2. Ø 1/2" anchor bolts to be installed at maximum 7'-10" O/C; and
  3. Exterior grade to slope away from foundation.

**ELEVATIONS**

1. Label views as North, South, East, and West; and
2. Sketch in locations of all exterior doors and windows.

