



SINGLE RESIDENTIAL STAIRS, GUARDS, AND HANDRAILS

Suite D, 180 North Third Avenue, Williams Lake, BC V2G 2A4
Unit 3 - 170 Cedar Avenue, Box 2260, 100 Mile House, BC V0K 2E0
102 - 410 Kinchant Street, Quesnel, BC V2J 7J5

Ph: 250-392-3351 Fax: 250-392-2812
Ph: 250-395-3838 Fax: 250-395-4898
Ph: 250-992-7400 Fax: 250-992-7414

HANDRAILS

Handrail to be graspable. Top of handrail to be between 34" and 42" at front edge of stair treads.

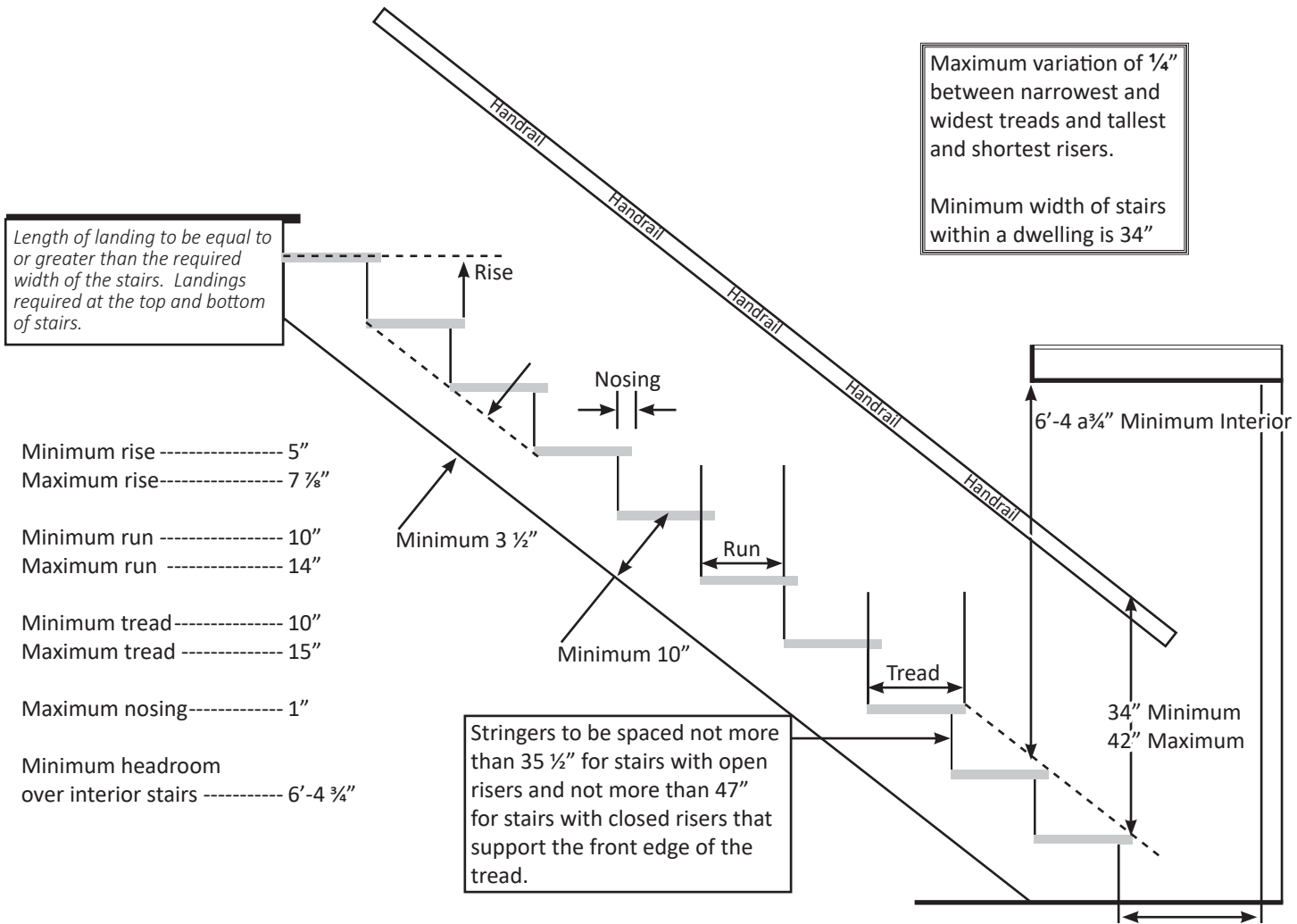
Handrails required at one side of all interior stairs with more than 2 risers and exterior stairs with more than 3 risers.

Handrail to project a maximum of 4" into the required width of the stairway.

All handrails shall be constructed so as to be continually graspable along their entire length with no obstruction to break a handhold, except where the handrail is interrupted by posts at changes in direction.

[Handrails and any building element that could be used as a handrail shall be designed and attached in such a manner as to resist a concentrated load at any point of not less than 200 pounds.]

Where a handrail serving a single dwelling unit is attached to wood studs or blocking the attachment points are to be spaced not more than 4 feet apart. The first attachment point at either end is to be located no more than 12 inches from the end of the handrail.





SINGLE RESIDENTIAL STAIRS, GUARDS, AND HANDRAILS

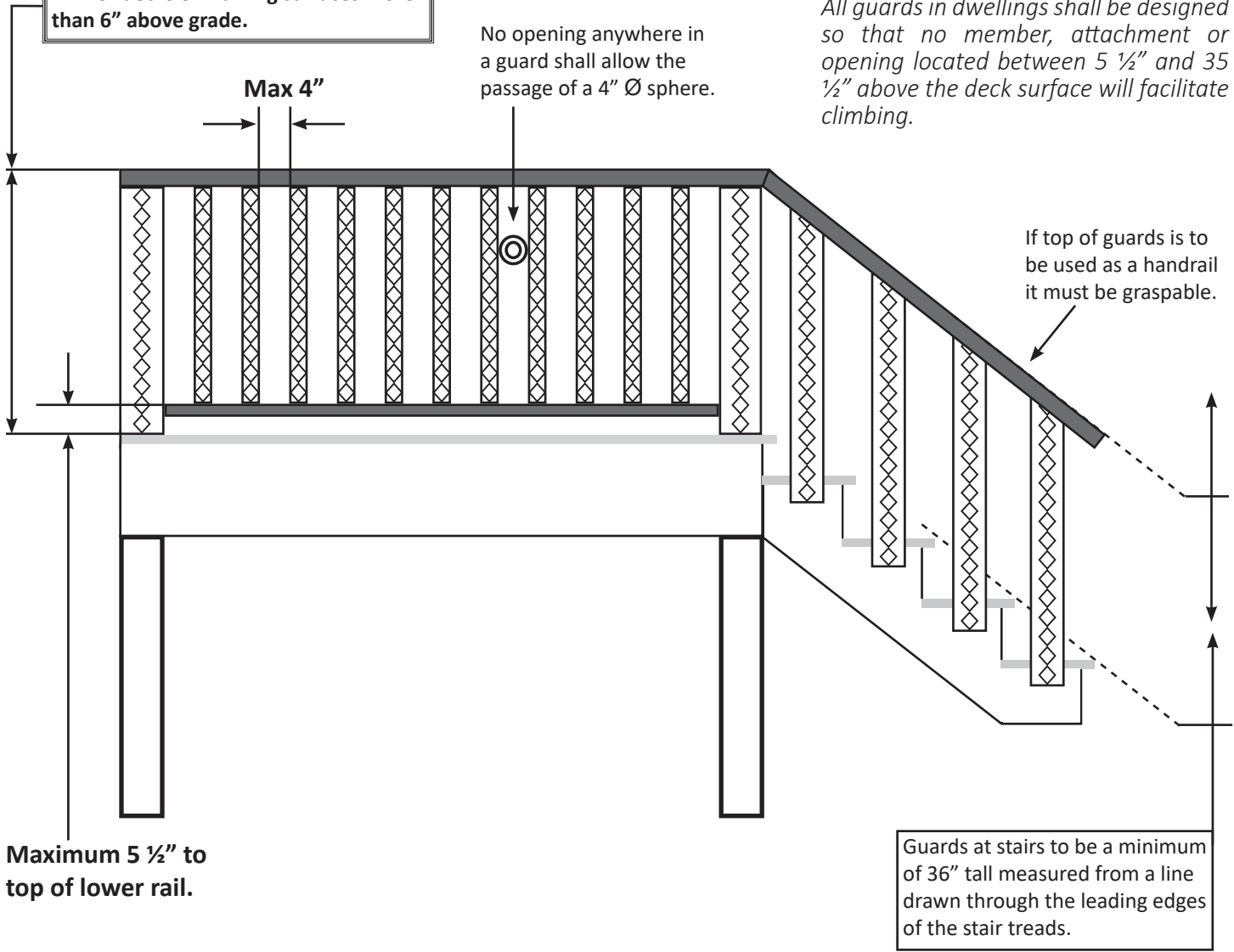
Suite D, 180 North Third Avenue, Williams Lake, BC V2G 2A4
Unit 3 - 170 Cedar Avenue, Box 2260, 100 Mile House, BC V0K 2E0
102 - 410 Kinchant Street, Quesnel, BC V2J 7J5

Ph: 250-392-3351 Fax: 250-392-2812
Ph: 250-395-3838 Fax: 250-395-4898
Ph: 250-992-7400 Fax: 250-992-7414

Minimum 36" for all interior guards and exterior guards protecting walking surfaces less than 6" above lower grade or exterior walking surface. Minimum 42" for decks or walking surfaces more than 6" above grade.

Guards are required at flights of steps and ramps, exterior landings, porches, balconies, mezzanines, galleries and raised walkways where there is a difference in elevation of more than 24 inches between the walking surface and the adjacent surface.

All guards in dwellings shall be designed so that no member, attachment or opening located between 5 1/2" and 35 1/2" above the deck surface will facilitate climbing.



Maximum 5 1/2" to top of lower rail.

Guards at stairs to be a minimum of 36" tall measured from a line drawn through the leading edges of the stair treads.



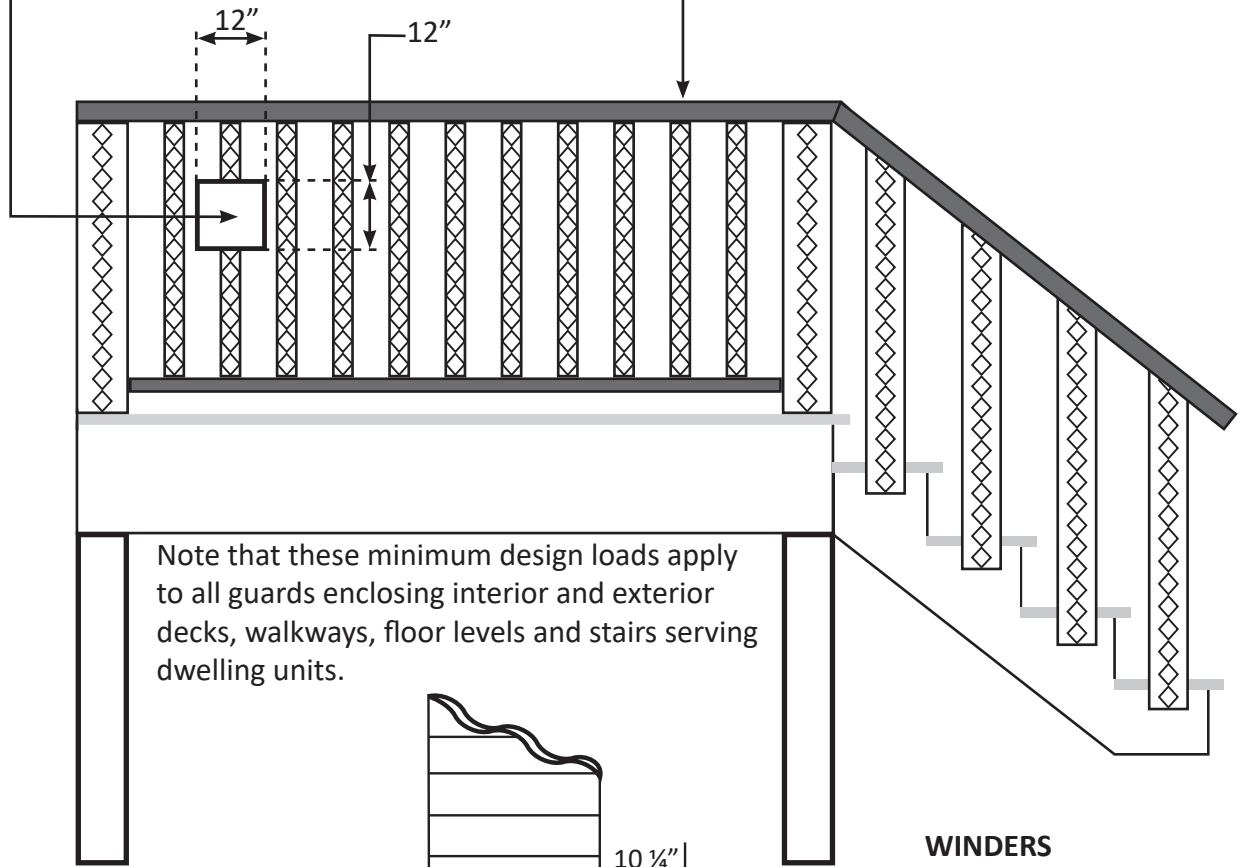
SINGLE RESIDENTIAL STAIRS, GUARDS, AND HANDRAILS

Suite D, 180 North Third Avenue, Williams Lake, BC V2G 2A4
Unit 3 - 170 Cedar Avenue, Box 2260, 100 Mile House, BC V0K 2E0
102 - 410 Kinchant Street, Quesnel, BC V2J 7J5

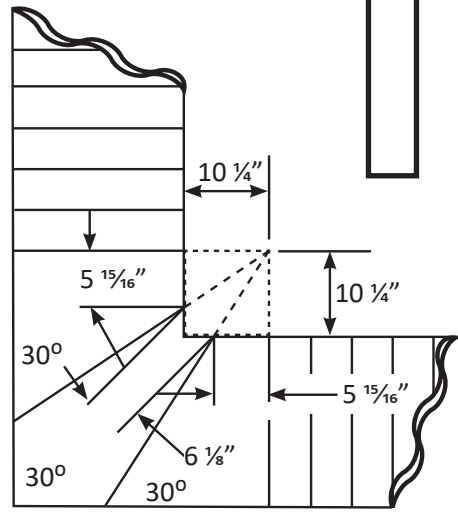
Ph: 250-392-3351 Fax: 250-392-2812
Ph: 250-395-3838 Fax: 250-395-4898
Ph: 250-992-7400 Fax: 250-992-7414

Minimum design load of 112 pounds per 12" by 12" section applied horizontally to any elements within the guard including solid panels and pickets.

Minimum design load of 103 pounds per foot applied vertically on the guard.
Minimum design load of 225 pounds applied horizontally inward or outward at any point along the top of the guards



Note that these minimum design loads apply to all guards enclosing interior and exterior decks, walkways, floor levels and stairs serving dwelling units.



WINDERS

Winders must be 30' or 45'.
Stairs incorporating winders may turn maximum 90" total.
Winders to have a minimum width of 5 15/16" at narrow ends.



SINGLE RESIDENTIAL STAIRS, GUARDS, AND HANDRAILS

Suite D, 180 North Third Avenue, Williams Lake, BC V2G 2A4
 Unit 3 - 170 Cedar Avenue, Box 2260, 100 Mile House, BC V0K 2E0
 102 - 410 Kinchant Street, Quesnel, BC V2J 7J5

Ph: 250-392-3351 Fax: 250-392-2812
 Ph: 250-395-3838 Fax: 250-395-4898
 Ph: 250-992-7400 Fax: 250-992-7414

DIMENSIONS OF LANDINGS

| STAIRS AND RAMPS SERVING A SINGLE DWELLING UNIT | LANDING CONFIGURATION | MINIMUM WIDTH, MM | LENGTH, MM |
|----------------------------------------------------------|--------------------------------------------------------------------------------------------|------------------------------------------------------------------|------------------------------------------------------------------------------------------------------------------------------------------------------------------------------------------------------------|
| | In straight-run stair or ramp, or landing turning through less than 30", within a dwelling | Width of stair or ramp | Not less than 860 |
| | In straight-run exterior stair or ramp, or exterior landing turning through less than 30" | Width of stair or ramp | Not less than 900 |
| | Landing turning through an angle of 30° degrees or more, but less than 90° degrees | Width of stair or ramp measured at right angle to path of travel | <ul style="list-style-type: none"> • Not less than 230 measured at the inside edge of the landing; and • Not less than 370 measured 230 mm from inside edge of landing or handrail |
| | Landing turning through not less than 90° degrees | Width of stair or ramp measured at right angle to path of travel | Not less than width of stair or ramp landing |

The information presented here is based on Section 9.8 of the BC Building Code. It applies to dwellings and small residential buildings