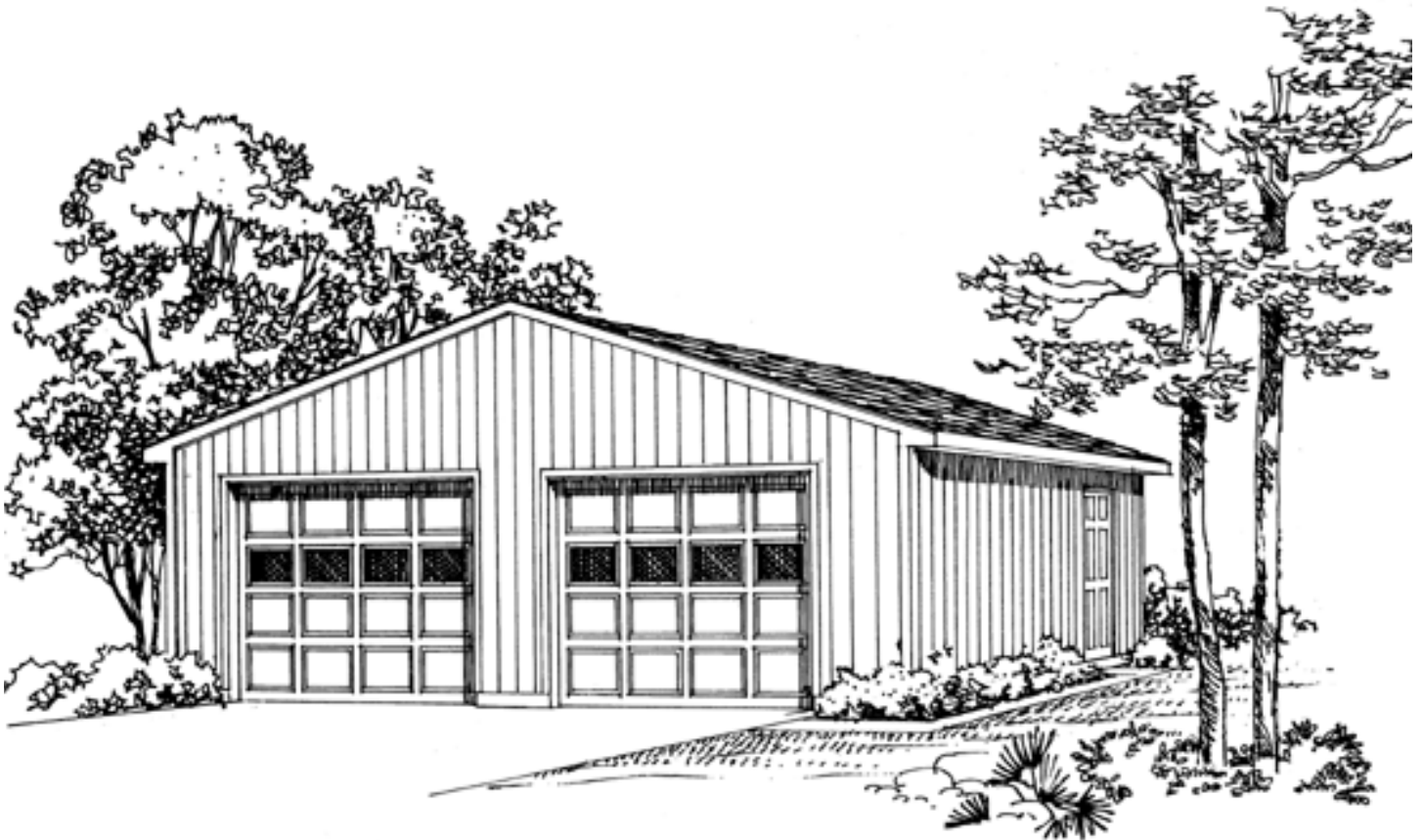




RESIDENTIAL GARAGE / WORKSHOP APPLICATION DRAWINGS

Suite D, 180 North Third Avenue, Williams Lake, BC V2G 2A4
Unit 3 - 170 Cedar Avenue, Box 2260, 100 Mile House, BC V0K 2E0
102 - 410 Kinchant Street, Quesnel, BC V2J 7J5

Ph: 250-392-3351 Fax: 250-392-2812
Ph: 250-395-3838 Fax: 250-395-4898
Ph: 250-992-7400 Fax: 250-992-7414



Central Cariboo – Williams Lake

Suite D, 180 North Third Avenue Williams Lake, BC V2G 2A4
Phone: 250-392-3351 or 1-800-665-1636 | Fax: 250-392-2812
General Building Inspection e-mail: building@cariboord.ca

North Cariboo – Quesnel

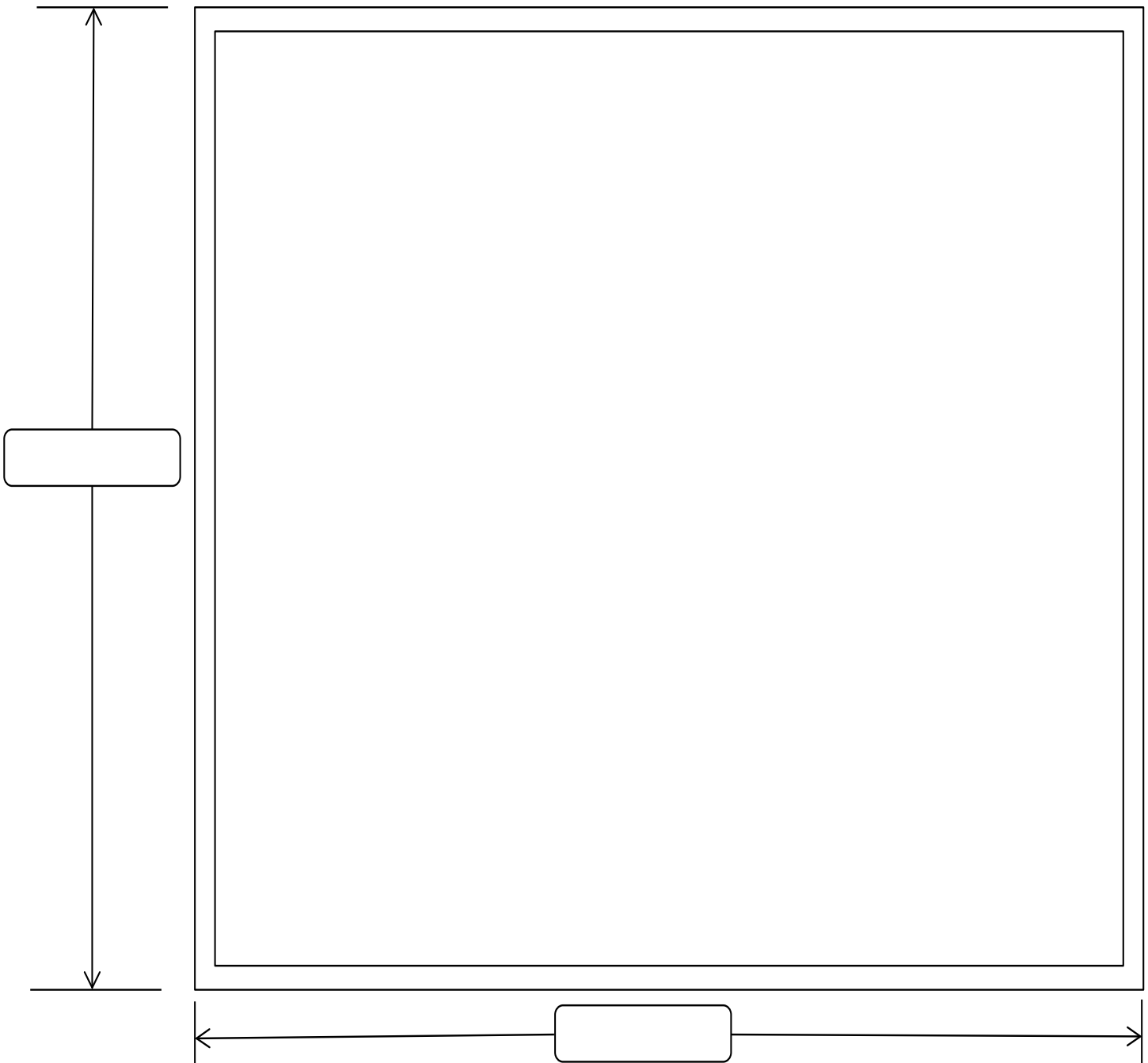
#102 – 410 Kinchant Street, Quesnel, BC V2J 7J5
Phone: 250-992-7400 | Fax: 250-992-7414

South Cariboo – 100 Mile House

Unit 3 – 170 Cedar Avenue, P.O. Box 2260, 100 Mile House, BC V0K 2E0
Phone: 250-395-3838 | Fax: 250-395-4898

FLOOR PLAN

Show the length and width of the building. Sketch in the location and size of all doors and windows as well as the size of the proposed lintels (headers).



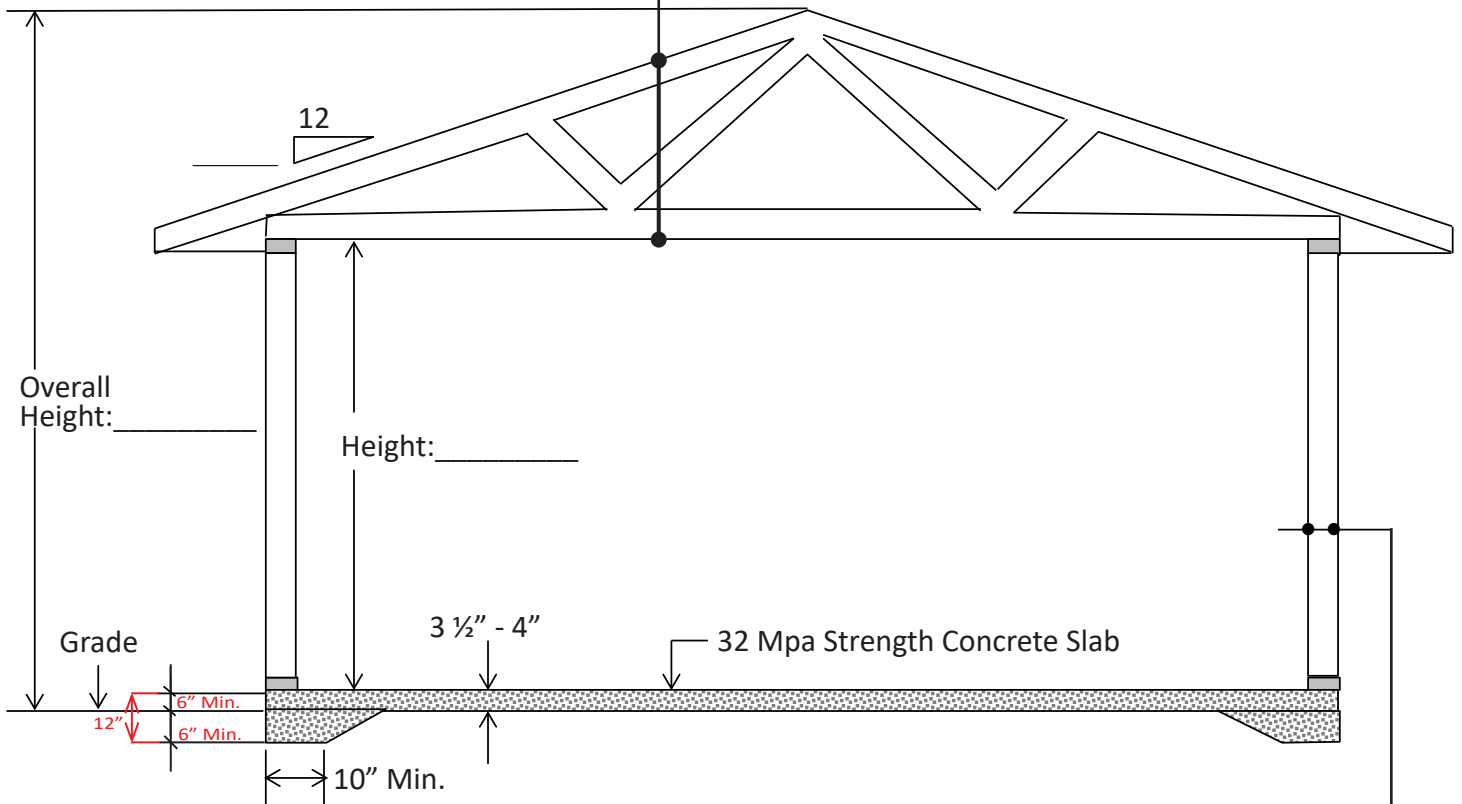
Notes:

1. A "main" door is required for all garage /workshop buildings;
2. If a wood burning stove and chimney are to be installed, show the locations on the plan;
3. Double cripple studs are required for all openings 10' wide or greater;
4. A minimum 20' x 26' attic access opening is required;
5. Sketch in the location of any partition walls;
6. Show the location of any additional story or mezzanine and the location of the stairs; and
7. If a washroom is to be installed, note the location on the plan.

CROSS SECTION

This foundation is suitable for garages up to 55 sq. m. (592 sq. ft.). If larger, ***see page 5.***

Roofing: _____
 Sheathing (type and thickness): _____
 Engineered roof trusses at 24" o/c
 Insulation: _____
 6 mil poly vapour barrier
 Interior finish: _____



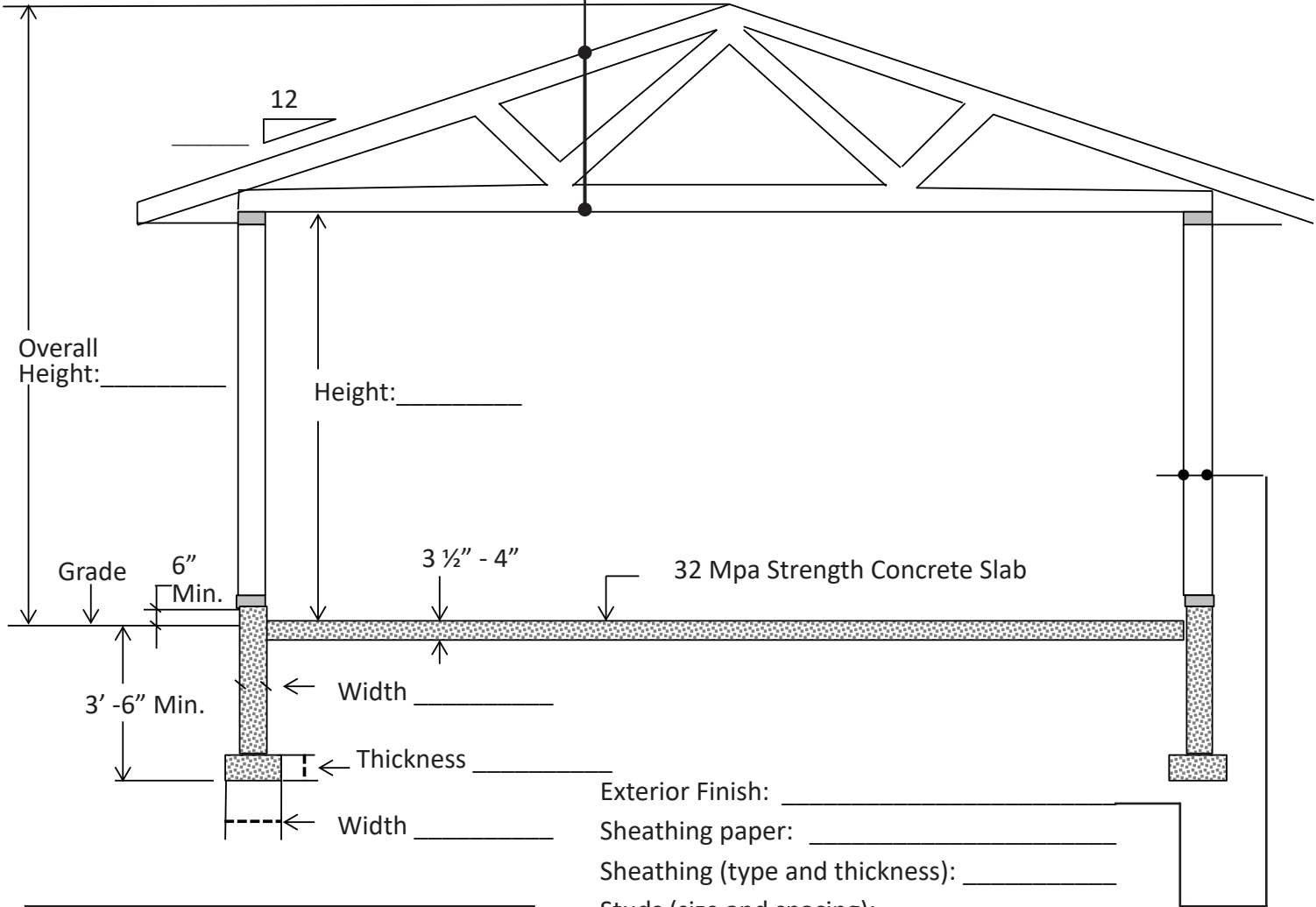
Exterior Finish: _____
 Sheathing paper: _____
 Sheathing (type and thickness): _____
 Framing: _____
 Insulation: _____
 6 mil poly vapour barrier
 Interior finish: _____

Notes:

1. All footings to be resting on undisturbed soil (not topsoil) or well compacted granular material;
2. Ø 1/2" anchor bolts to be installed at maximum 7'-10" O/C; and
3. Exterior grade to slope away from foundation.

CROSS SECTION - FROST PROTECTED FOUNDATION

Roofing: _____
 Sheathing (type and thickness): _____
 Engineered roof trusses at 24" o/c
 Insulation: _____
 6 mil poly vapour barrier
 Interior finish: _____



Exterior Finish: _____
 Sheathing paper: _____
 Sheathing (type and thickness): _____
 Studs (size and spacing): _____
 Insulation: _____
 6 mil poly vapour barrier
 Interior finish: _____

- Notes:**
1. All footings to be resting on undisturbed soil (not topsoil) or well compacted granular material;
 2. Ø 1/2" anchor bolts to be installed at maximum 7'-10" O/C; and
 3. Exterior grade to slope away from foundation.

ELEVATIONS

1. Label views as North, South, East, and West; and
2. Sketch in locations of all exterior doors and windows.

