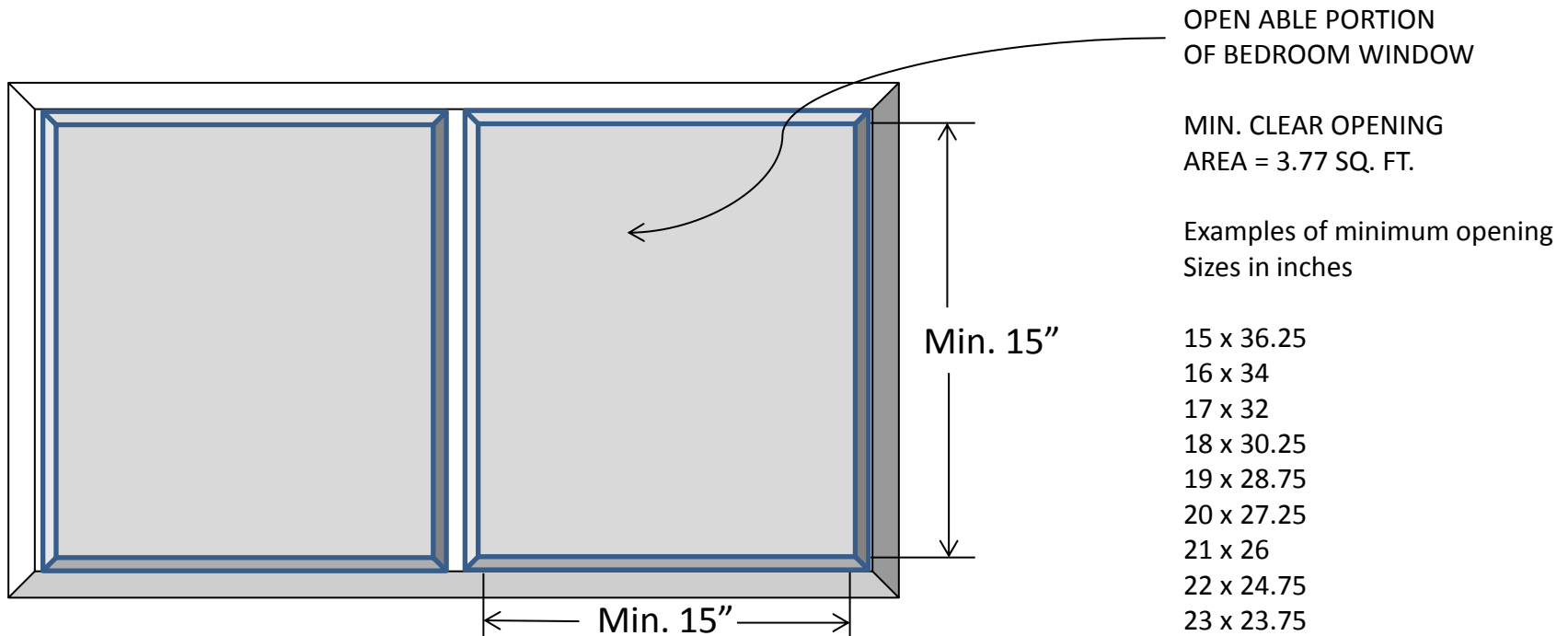


Development Services Department

BC Building Code - 9.9.10.1. Bedroom Windows



BCBC – 9.9.10.1.

- 1) Except where the suite is sprinklered, each bedroom or combination bedroom shall have at least one outside window or exterior door openable from the inside without the use of keys, tools or special knowledge and without the removal of sashes or hardware.
- 2) The window referred to in Sentence (1) shall:
 - a) provide an unobstructed opening of not less than 0.35 m² (3.77 sq ft) in area with no dimension less than 380 mm (15"), and
 - b) maintain the required opening during an emergency without the need for additional support.